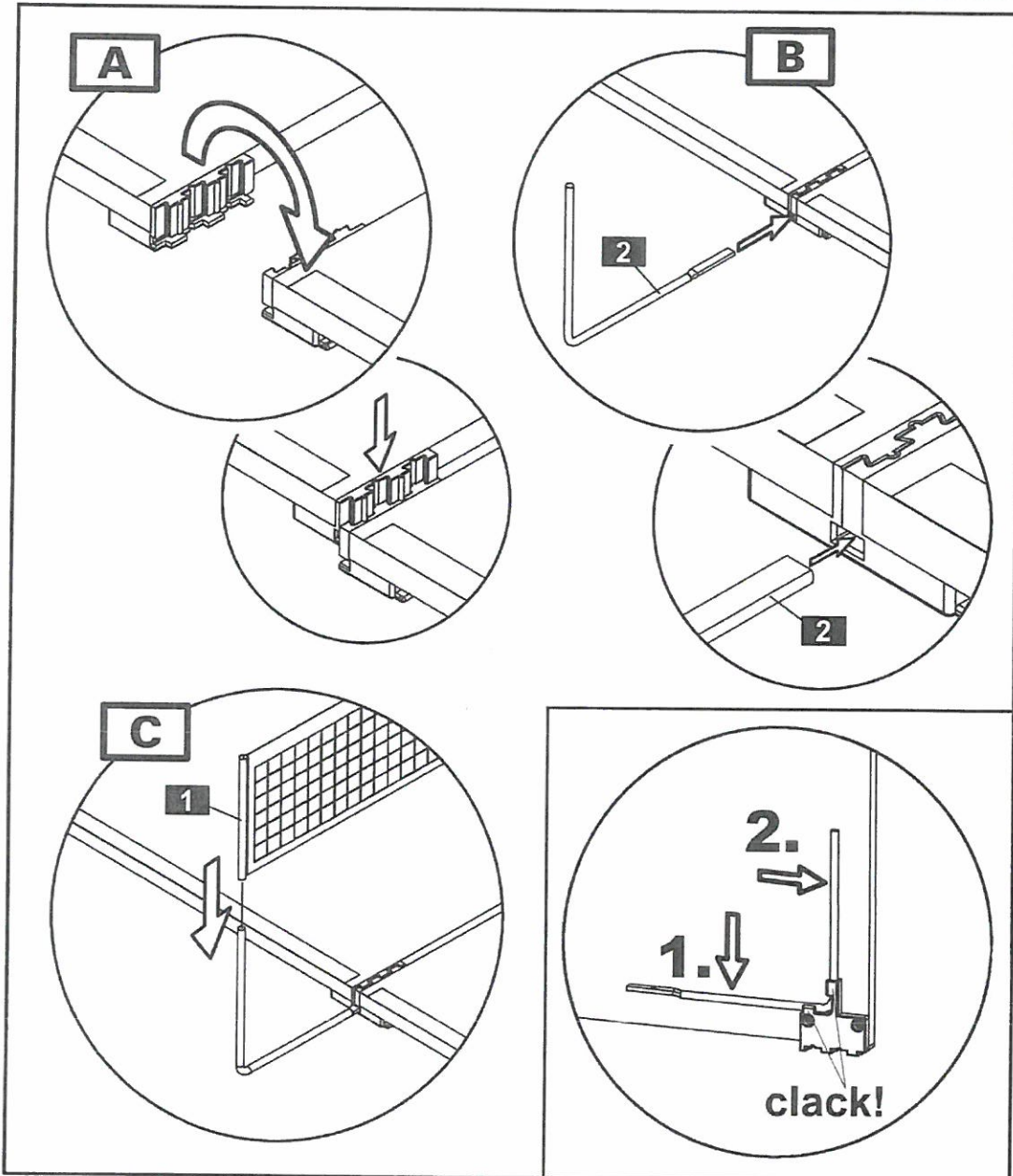


# Conversion Tops

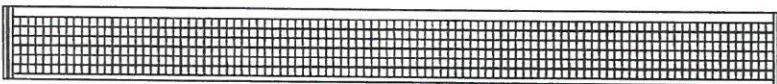


865.199.020

2x



1 1x



2 2x

